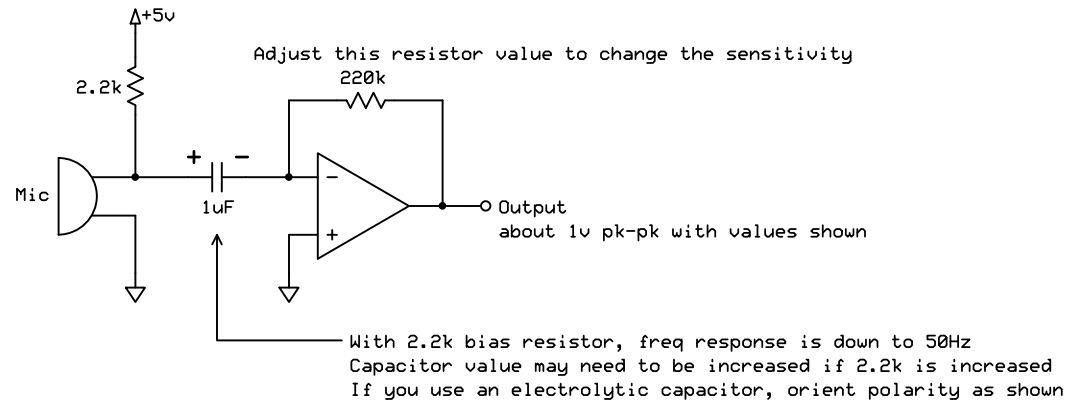
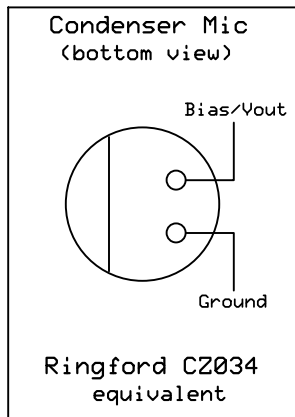


Increase 2.2k resistor for use
with higher power supply voltage
as follows:

+9V: 20k
+12V: 33k



Condenser Mic Preamp

Physics 5/105

F. Rice

Rev 1.0
11/20/2013

Page 1 of 1