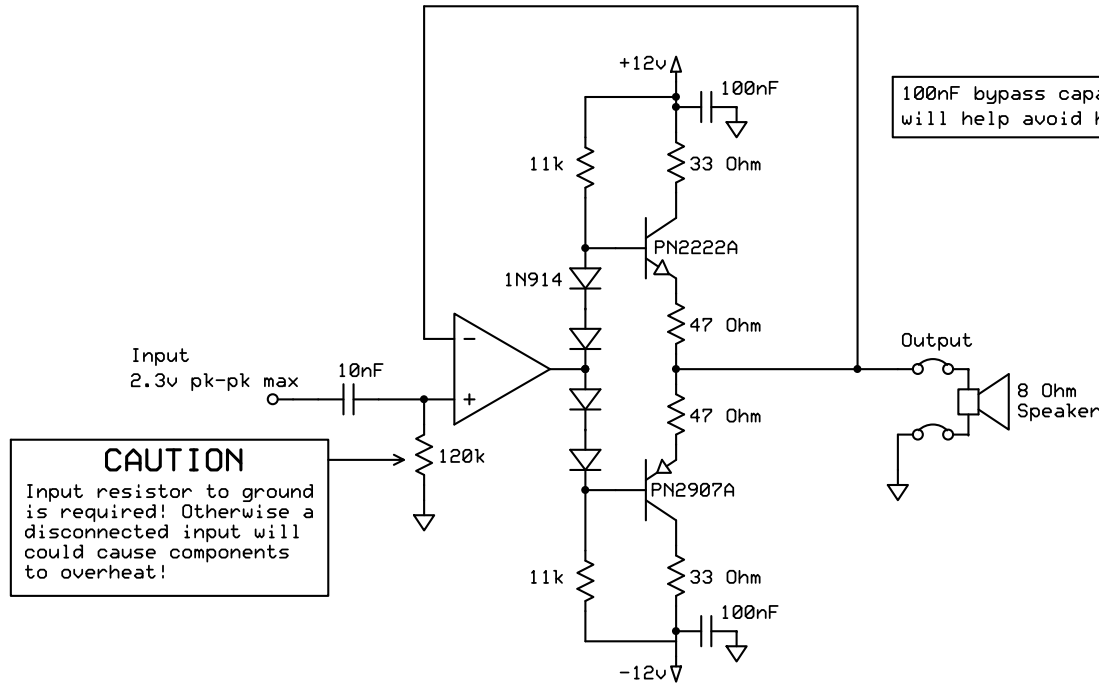


Class AB Audio Speaker Driver



100nF bypass capacitors on transistor collectors will help avoid high-frequency instability.

CAUTION
Input resistor to ground is required! Otherwise a disconnected input will cause components to overheat!

CAUTION
Exceeding the pk-pk input voltage limit will cause the output to clip (saturate) and will greatly increase the resistor power dissipation. Use a voltage divider on the input!
(shown below)

